

Packaging Spools - Enamelled Double Glass Fibre Covered (En.D.G.F.C.) Aluminium Rectangular Wires

JWPL Enamelled Double Glass Fibre Covered (En.D.G.F.C.) Aluminium Rectangular Wires are supplied on Wooden Spools and Cylindrical Barrelled Plastic Spools.

Wire Size & Respective Spool Types:

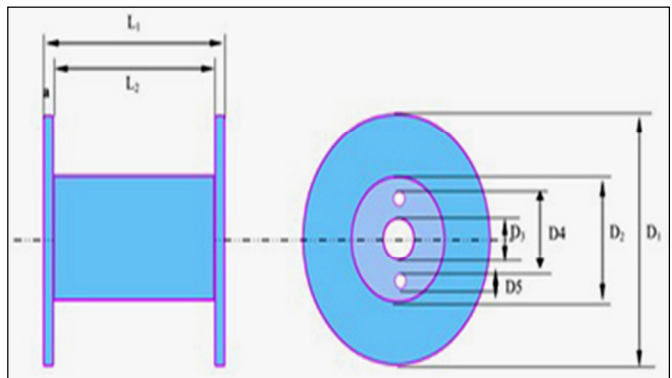
Size Range (sq mm)	Wooden Spools (Refer Figure A)	Cylindrical Barrelled Plastic Spools (Refer Figure B)
27.00 to 10.00	560 mm 500 mm 450 mm 400 mm	560 mm 500 mm 450 mm 400 mm
9.50 to 4.00	450 mm 400 mm	450 mm 400 mm 355 mm 310 mm

Size range available is Width: Max 9.00 mm & Min 3.0 mm; Thickness: Max 3.00 mm & Min 1.00 mm

Other spools are available on request.

FIGURE A : DIMENSIONS OF WOODEN SPOOLS

Spool Type	Dimensions (mm)				Weight (gms)
	Flange Dia.	Barrel dia.	Bore dia.	Traverse length	
	d ₁	d ₂	d ₃	L ₂	
400	400	150	40	200	35
450	450	150	40	200	45
500	500	200	40	240	70
560	560	280	40	240	85



Note: Dimension of D4 & D5 can be provided as per your requirement of buyer and dimension of machine.

FIGURE B : DIMENSIONS OF CYLINDRICAL BARRELLED PLASTIC SPOOLS

Spool Type	Dimensions (mm)					Volume (cm ³)
	Flange Dia.	Barrel dia.	Bore dia.	Traverse length	Overall length	
	d ₁	d ₂	d ₃	L ₂	L ₁	
400	400	250/300	40/56/127	230	280	17620 / 12650
450	450	250/300	40/56/127	230	290	25300 / 20330
500	500	250/300	40/56/127	230	290	33884 / 28914
560	560	300	40/56/127	230	300	40408

